

Modifications Notices

Issue Date
June. 27th, 2019

Low Signal Relays

No. 2019120AE(ON)

Modification Notice of changing in taping specification with optimization of reel winding size of G3VM MOS FET relay.

[Effective Date]

Effective as of our production in Feb, 2020.

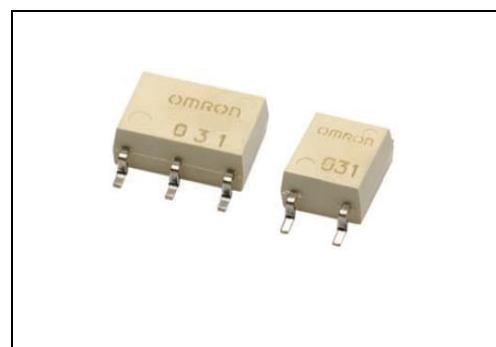
[Applicable Model]

G3VM Series

< Refer to the " [Details of applicable model] " . >

[Reason for change]

For unifying the shape and dimensions of 500 pcs reel.

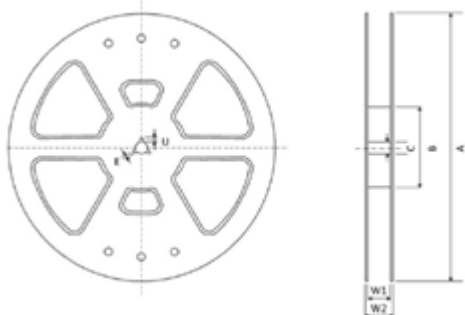
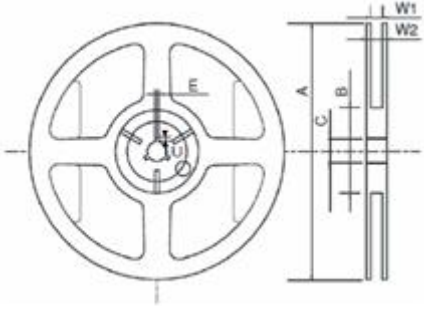
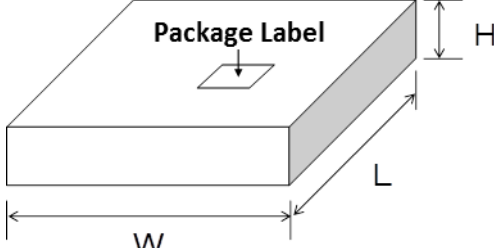
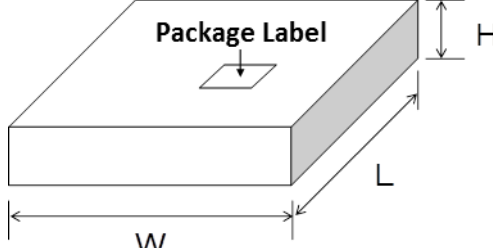


[Change of products specification]

Unnecessary

Before the change (Basic Production line products)	After the change (New Production line products)																																
<p>1. SOP4pin >> Reel size ϕ 330mm</p> <p>Reel dimensions (unit:mm)</p> <table border="1"> <thead> <tr> <th>Symbol</th> <th>Dimension</th> </tr> </thead> <tbody> <tr> <td>A</td> <td>ϕ 330\pm2.0</td> </tr> <tr> <td>B</td> <td>ϕ 80\pm1.0</td> </tr> <tr> <td>C</td> <td>ϕ 13\pm0.5</td> </tr> <tr> <td>E</td> <td>2.0\pm0.5</td> </tr> <tr> <td>U</td> <td>4.0\pm0.5</td> </tr> <tr> <td>W1</td> <td>13.5\pm0.5</td> </tr> <tr> <td>W2</td> <td>17.5\pm1.0</td> </tr> </tbody> </table>	Symbol	Dimension	A	ϕ 330 \pm 2.0	B	ϕ 80 \pm 1.0	C	ϕ 13 \pm 0.5	E	2.0 \pm 0.5	U	4.0 \pm 0.5	W1	13.5 \pm 0.5	W2	17.5 \pm 1.0	<p>1. SOP4pin >> Reel size ϕ 180mm</p> <p>Reel dimensions (unit:mm)</p> <table border="1"> <thead> <tr> <th>Symbol</th> <th>Dimension</th> </tr> </thead> <tbody> <tr> <td>A</td> <td>ϕ 180\pm2.0</td> </tr> <tr> <td>B</td> <td>ϕ 60\pm1.0</td> </tr> <tr> <td>C</td> <td>ϕ 13\pm0.5</td> </tr> <tr> <td>E</td> <td>2.0\pm0.5</td> </tr> <tr> <td>U</td> <td>4.0\pm0.5</td> </tr> <tr> <td>W1</td> <td>13.5\pm0.5</td> </tr> <tr> <td>W2</td> <td>17.5\pm1.0</td> </tr> </tbody> </table> <p>No change in the material</p>	Symbol	Dimension	A	ϕ 180 \pm 2.0	B	ϕ 60 \pm 1.0	C	ϕ 13 \pm 0.5	E	2.0 \pm 0.5	U	4.0 \pm 0.5	W1	13.5 \pm 0.5	W2	17.5 \pm 1.0
Symbol	Dimension																																
A	ϕ 330 \pm 2.0																																
B	ϕ 80 \pm 1.0																																
C	ϕ 13 \pm 0.5																																
E	2.0 \pm 0.5																																
U	4.0 \pm 0.5																																
W1	13.5 \pm 0.5																																
W2	17.5 \pm 1.0																																
Symbol	Dimension																																
A	ϕ 180 \pm 2.0																																
B	ϕ 60 \pm 1.0																																
C	ϕ 13 \pm 0.5																																
E	2.0 \pm 0.5																																
U	4.0 \pm 0.5																																
W1	13.5 \pm 0.5																																
W2	17.5 \pm 1.0																																

[Changes]

Before the change (Basic Production line products)	After the change (New Production line products)																																
<p>2. SOP6pin >> Reel size ϕ 330mm</p>  <p>Reel dimensions (unit:mm)</p> <table border="1" data-bbox="220 757 671 1048"> <thead> <tr> <th>Symbol</th> <th>Dimension</th> </tr> </thead> <tbody> <tr> <td>A</td> <td>ϕ 330\pm2.0</td> </tr> <tr> <td>B</td> <td>ϕ 80\pm1.0</td> </tr> <tr> <td>C</td> <td>ϕ 13\pm0.5</td> </tr> <tr> <td>E</td> <td>2.0\pm0.5</td> </tr> <tr> <td>U</td> <td>4.0\pm0.5</td> </tr> <tr> <td>W1</td> <td>13.5\pm0.5</td> </tr> <tr> <td>W2</td> <td>17.5\pm1.0</td> </tr> </tbody> </table>	Symbol	Dimension	A	ϕ 330 \pm 2.0	B	ϕ 80 \pm 1.0	C	ϕ 13 \pm 0.5	E	2.0 \pm 0.5	U	4.0 \pm 0.5	W1	13.5 \pm 0.5	W2	17.5 \pm 1.0	<p>2. SOP6pin >> Reel size ϕ 180mm</p>  <p>Reel dimensions (unit:mm)</p> <table border="1" data-bbox="914 757 1366 1048"> <thead> <tr> <th>Symbol</th> <th>Dimension</th> </tr> </thead> <tbody> <tr> <td>A</td> <td>ϕ 180\pm2.0</td> </tr> <tr> <td>B</td> <td>ϕ 60\pm1.0</td> </tr> <tr> <td>C</td> <td>ϕ 13\pm0.5</td> </tr> <tr> <td>E</td> <td>2.0\pm0.5</td> </tr> <tr> <td>U</td> <td>4.0\pm0.5</td> </tr> <tr> <td>W1</td> <td>13.5\pm0.5</td> </tr> <tr> <td>W2</td> <td>17.5\pm1.0</td> </tr> </tbody> </table> <p>No change in the material</p>	Symbol	Dimension	A	ϕ 180 \pm 2.0	B	ϕ 60 \pm 1.0	C	ϕ 13 \pm 0.5	E	2.0 \pm 0.5	U	4.0 \pm 0.5	W1	13.5 \pm 0.5	W2	17.5 \pm 1.0
Symbol	Dimension																																
A	ϕ 330 \pm 2.0																																
B	ϕ 80 \pm 1.0																																
C	ϕ 13 \pm 0.5																																
E	2.0 \pm 0.5																																
U	4.0 \pm 0.5																																
W1	13.5 \pm 0.5																																
W2	17.5 \pm 1.0																																
Symbol	Dimension																																
A	ϕ 180 \pm 2.0																																
B	ϕ 60 \pm 1.0																																
C	ϕ 13 \pm 0.5																																
E	2.0 \pm 0.5																																
U	4.0 \pm 0.5																																
W1	13.5 \pm 0.5																																
W2	17.5 \pm 1.0																																
<p>Package Box >> SOP4pin/SOP6pin</p>  <table border="1" data-bbox="145 1518 794 1594"> <thead> <tr> <th>W</th> <th>L</th> <th>H</th> </tr> </thead> <tbody> <tr> <td>340mm</td> <td>349mm</td> <td>31mm</td> </tr> </tbody> </table>	W	L	H	340mm	349mm	31mm	<p>Package Box >> SOP4pin/SOP6pin</p>  <table border="1" data-bbox="826 1518 1476 1594"> <thead> <tr> <th>W</th> <th>L</th> <th>H</th> </tr> </thead> <tbody> <tr> <td>193mm</td> <td>193mm</td> <td>31mm</td> </tr> </tbody> </table>	W	L	H	193mm	193mm	31mm																				
W	L	H																															
340mm	349mm	31mm																															
W	L	H																															
193mm	193mm	31mm																															

[Details of applicable model]

Models
G3VM-61GR2(TR05)
G3VM-63G(TR05)
G3VM-31HR(TR05)
G3VM-61HR1(TR05)
G3VM-101HR1(TR05)

Specifications in this product news are as of the issue date and are subject to change without notice. Only main changes in specifications are described in this document. Please be sure to read the relevant catalogs, datasheets, product specifications, instructions, and manuals for precautions and necessary information when using products.